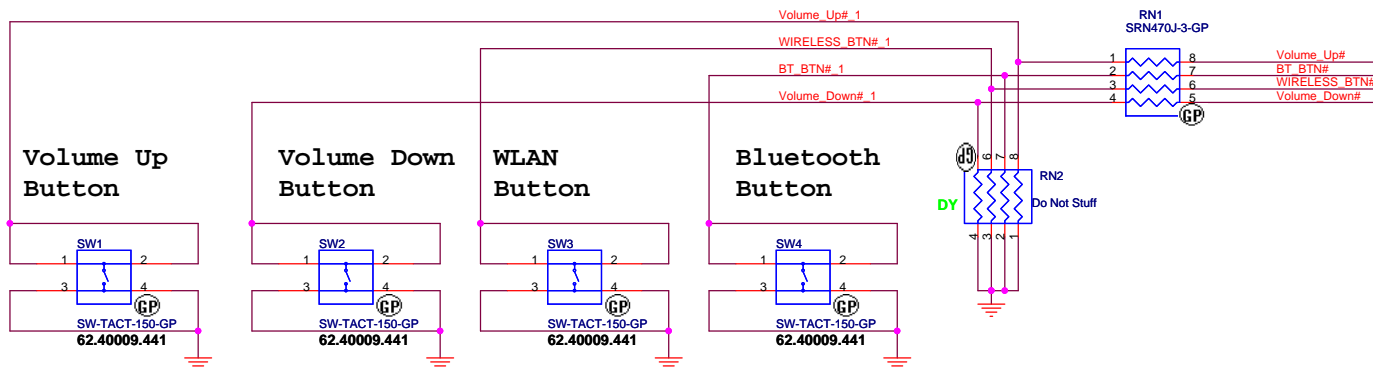
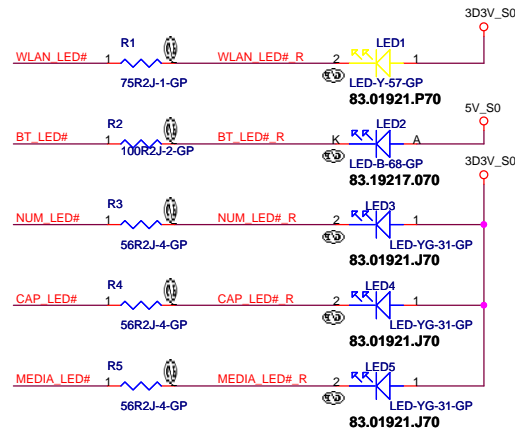
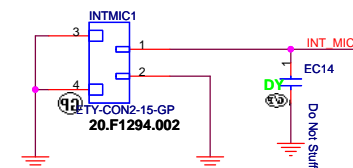


Cathedral Peak II LAUNCH&LED Board

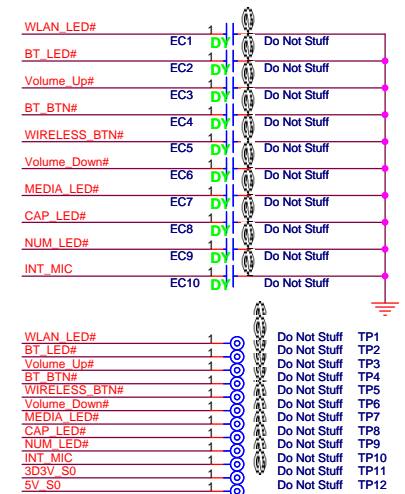
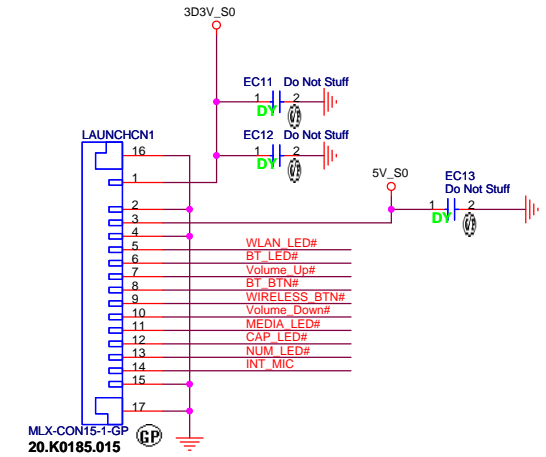
Project code: 91.4K801.001
 PCB P/N : 48.4K803.0SB
 REVISION : 08575-SB



Analog Int. Mic



2nd source 20.F1294.002



BOM2

 Wistron Corporation 21F, 88, Sec.1, Hsin Tai Wu Rd., Hsichih, Taipei Hsien 221, Taiwan, R.O.C.		
Title		
LAUNCH&LED_Board		
Size A3	Document Number Cathedral Peak II	Rev SB
Date: Tuesday, June 10, 2008		
Sheet 1 of 1		